

Options
 Title: Experi...to SDR V6.0
 Author: HB9DUG ... 2021-07-28
 Description: DVB-T...luto SDR
 Output Language: Python
 Generate Options: QT GUI

Variable
 Id: samp_rate
 Value: 4M

Variable
 Id: decim
 Value: 2

Variable
 Id: bandwidth_decim_factor
 Value: 2

Variable
 Id: fft_len
 Value: 2.048k

Variable
 Id: freq
 Value: 1G

QT GUI Range
 Id: rf_gain
 Label: RF Gain [dB]
 Default Value: 30
 Start: 0
 Stop: 73
 Step: 1

QT GUI Label
 Id: variable_qtgui_label_0
 Label: Tuned Frequency [Hz]
 Default Value: 1G

QT GUI Entry
 Id: freq_central
 Label: RX Frequency [Hz]
 Default Value: 1G

Variable
 Id: rx_antenna
 Value: A_BALANCED

QT GUI Range
 Id: freq_fine
 Label: Frequenc...Adjust [Hz]
 Default Value: 0
 Start: -10k
 Stop: 10k
 Step: 1

QT GUI Tab Widget
 Id: dvbt
 Num Tabs: 2
 Label 0: Receive...figuration
 Label 1: Band Pa...ter Viewer

Band-pass Filter Taps
 Id: bpf_1mhz
 Tap Type: Complex
 Gain: 1
 Sample Rate (Hz): 2M
 Low Cutoff Freq (Hz): -550k
 High Cutoff Freq (Hz): 550k
 Transition Width (Hz): 100k
 Window: 0
 Beta: 6.76

Band-pass Filter Taps
 Id: bpf_500khz
 Tap Type: Complex
 Gain: 1
 Sample Rate (Hz): 2M
 Low Cutoff Freq (Hz): -275k
 High Cutoff Freq (Hz): 275k
 Transition Width (Hz): 50k
 Window: 0
 Beta: 6.76

Band-pass Filter Taps
 Id: bpf_350khz
 Tap Type: Complex
 Gain: 1
 Sample Rate (Hz): 2M
 Low Cutoff Freq (Hz): -192.5k
 High Cutoff Freq (Hz): 192.5k
 Transition Width (Hz): 30k
 Window: 0
 Beta: 6.76

Band-pass Filter Taps
 Id: bpf_250khz
 Tap Type: Complex
 Gain: 1
 Sample Rate (Hz): 2M
 Low Cutoff Freq (Hz): -137.5k
 High Cutoff Freq (Hz): 137.5k
 Transition Width (Hz): 25k
 Window: 0
 Beta: 6.76

Band-pass Filter Taps
 Id: bpf_125khz
 Tap Type: Complex
 Gain: 1
 Sample Rate (Hz): 2M
 Low Cutoff Freq (Hz): -71.5k
 High Cutoff Freq (Hz): 71.5k
 Transition Width (Hz): 15k
 Window: 0
 Beta: 6.76

Note
 Note: Configuration
 for Mode 2K, Constellation QPSK et Guard 1/32

Note
 Note: Afficher...s paramètres
 ouvrir une console "Conda Prompt (radioconda)" et exécuter :
 soapysdrutil --probe="driver=plutosdr"

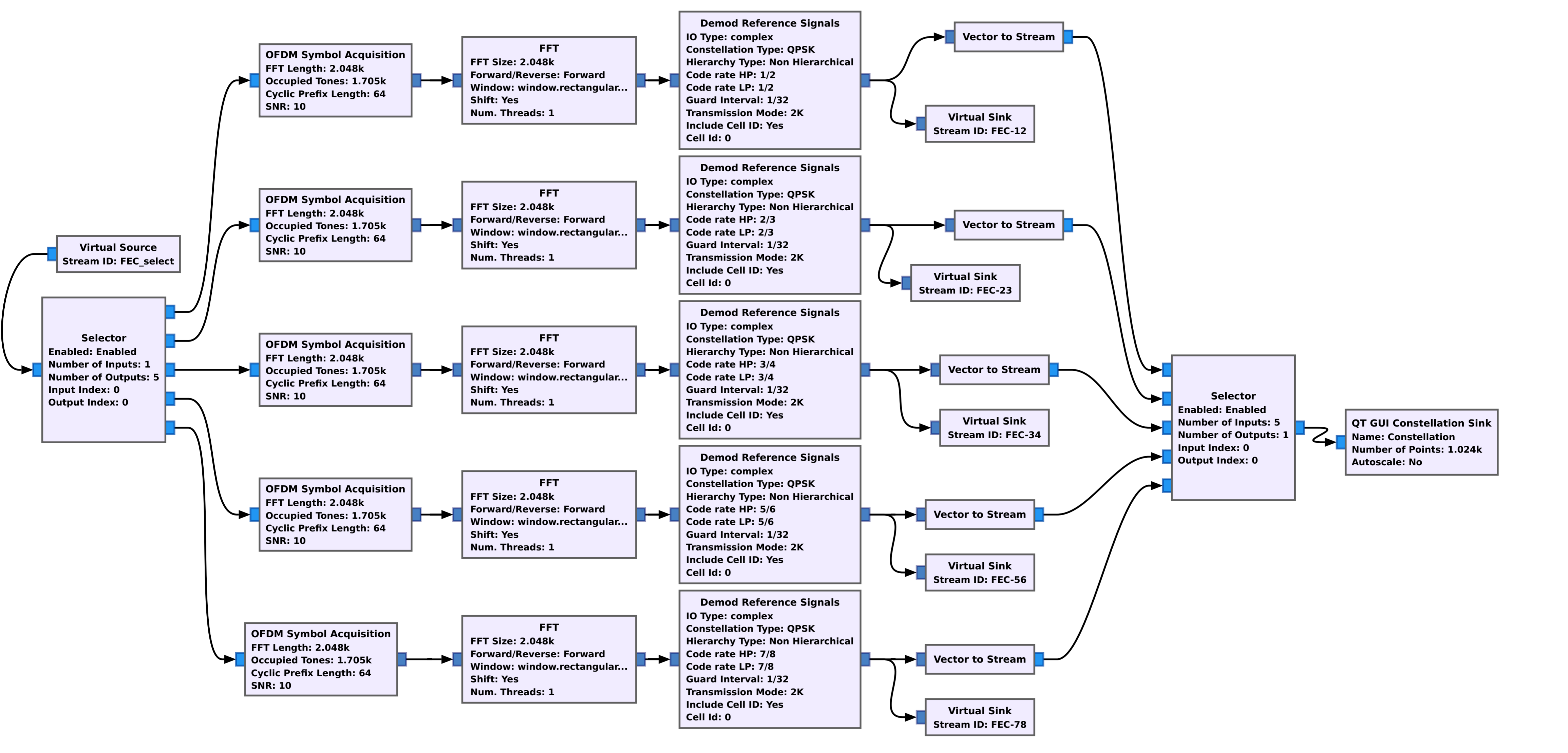
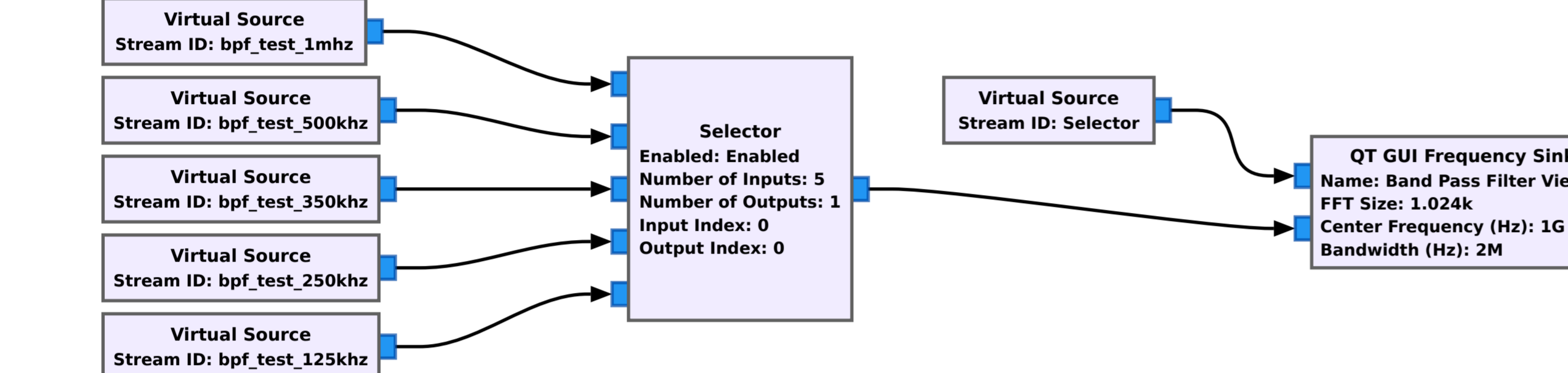
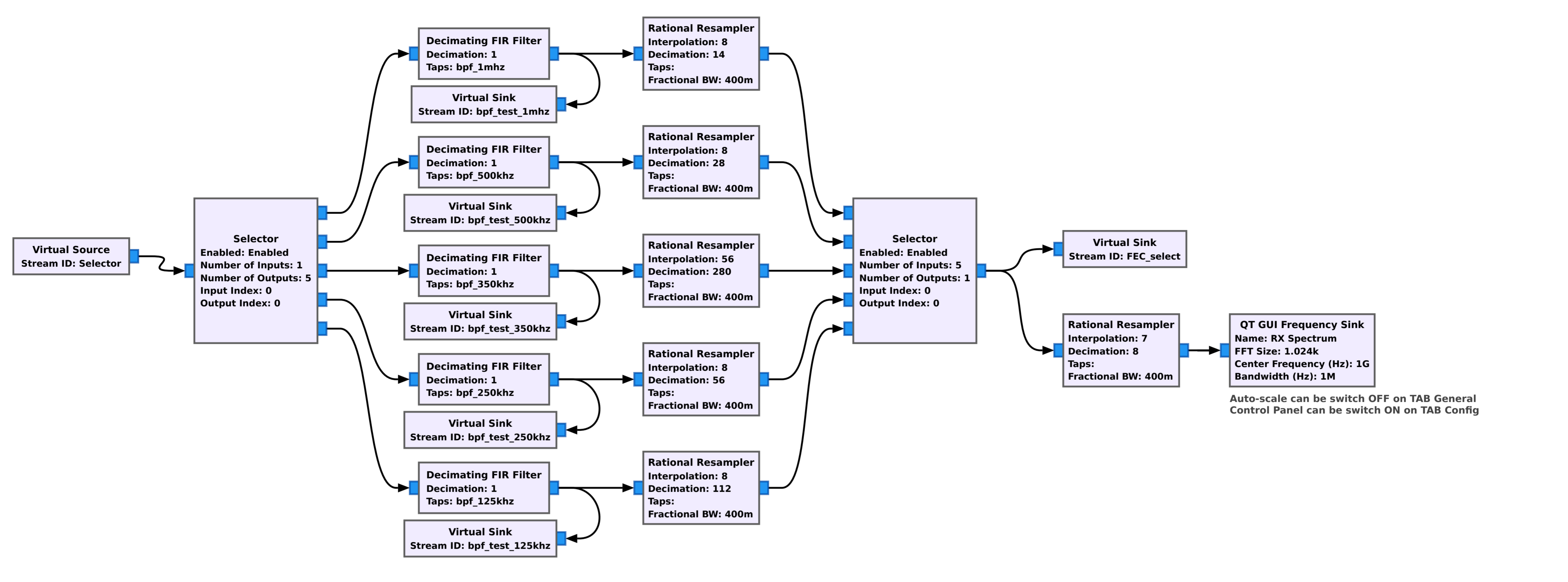
Soapy Source
 Device Type: plutosdr
 Arguments:
 Stream arguments:
 Sampling Rate: 4M
 Ch0: Tune arguments:
 Ch0: Other settings:
 Ch0: Center Freq (Hz): 1G
 Ch0: Overall Gain Value: 30
 Ch0: Automatic DC Removal: Fal...se
 Ch0: DC Offset: 0
 Ch0: Frequency Correction: 0
 Ch0: IQ Balance Correction: 0
 Ch0: Automatic Gain Control: False

Pluto connected over usb or ip

Low Pass Filter
 Decimation: 2
 Gain: 1
 Sample Rate: 4M
 Cutoff Freq: 2M
 Transition Width: 400k
 Window: Hamming
 Beta: 6.76

AGC2
 Attack Rate: 100m
 Decay Rate: 10m
 Reference: 1
 Gain: 1
 Max Gain: 65.536k

Virtual Sink
 Stream ID: Selector



UDP Sink
 Destination IP Address: 230.0.0.1...10
 Destination Port: 10k
 Payload Size: 1.472k
 Send Null Pkt as EOF: True

Selector
 Enabled: Enabled
 Number of Inputs: 5
 Number of Outputs: 0
 Input Index: 0
 Output Index: 0

TCP Server Sink
 Destination IP Address: 127.0.0.0...0.1
 Destination Port: 10k
 Nonblocking Mode: On

The Transport Stream (TS) can be displayed by :
 VLC --> tcp://@127.0.0.1:10000
 SMPLOYER --> tcp://127.0.0.1:10000

